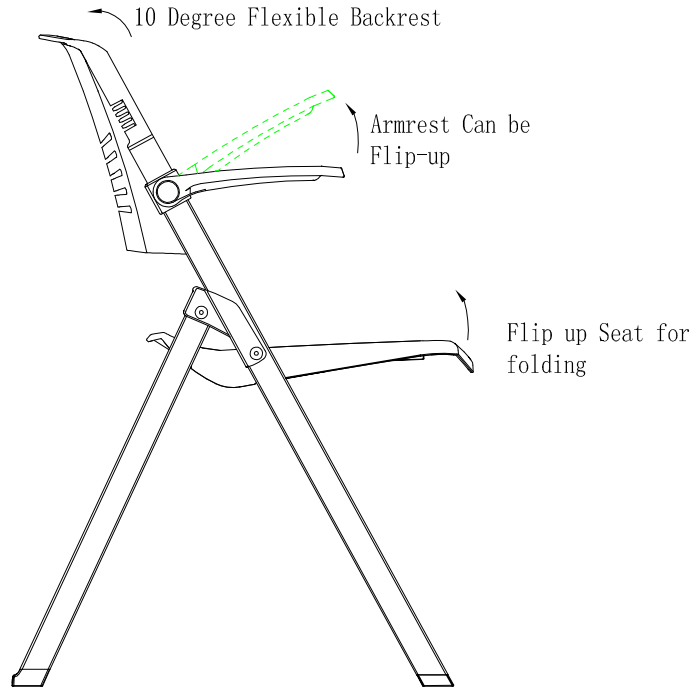
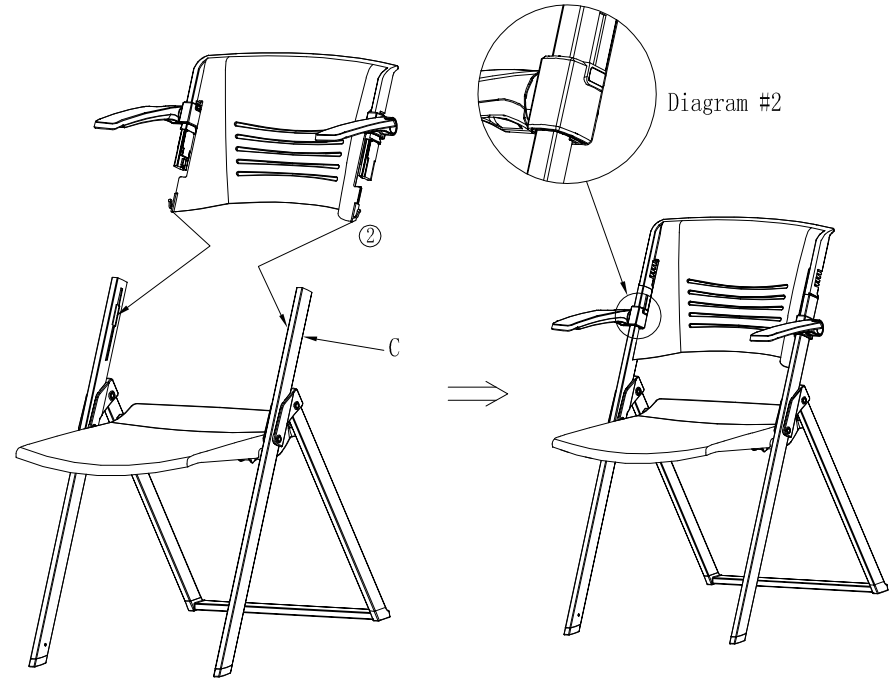


Wren™ Assembly Instructions



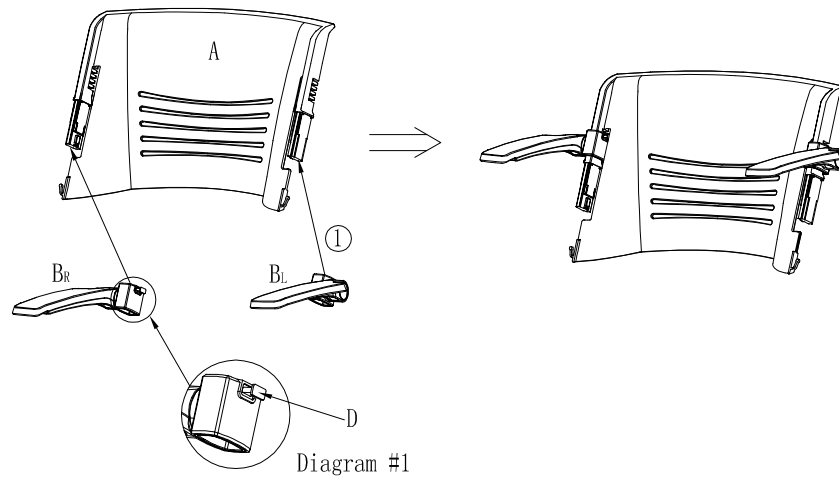
Function Explanation



Instructions

Steps:

1. Put the Armrest (B) onto the Backrest (A), the Positioning Cap (D) pre-assembled but not tightened. See Diagram #1.
2. Put the legs of the Backrest (A) into the tube (C).
3. Move the Armrest (B) all the way to the bottom until hit the backrest.
4. Press the Positioning Cap (D) into the Aluminum part, the surface should be flush with the Aluminum part.



Part	Description	Qty
A	Backrest	1
B	Armrest	L/R
C	Frame	1
D	Positioning Cap	2