

Price List Effective Dates:	
Pricing	10.03.22
Revisions	09.01.22



	▶ See page
Statement of Line	AB.2
Planning	AB.3
Overview	AB.3
Pricing	AB.4
Side Chairs	AB.4
Surface Materials	AB.5
Wood Finishes	AB.5
Upholstery	AB.6

Statement of Line	➤ See page AB.2
Planning	AB.3
Pricing	AB.4
Surface Materials	AB.5



Fully Upholstered Back
➤ See page AB.4 to specify.



Upholstered Back with Wood Top
*Bottom part of back is upholstered,
top part is wood.*
➤ See page AB.4 to specify.



**Open Back with
Wood Top and Slat**
*Bottom part of back is open,
top part is wood with wood slat.*
➤ See page AB.4 to specify.

➤ See individual pricing pages for dimensions.

ABBOTT™ SEATING

Overview

Planning

Statement of Line	➤ See page AB.2
Planning	AB.3
Pricing	AB.4
Surface Materials	AB.5

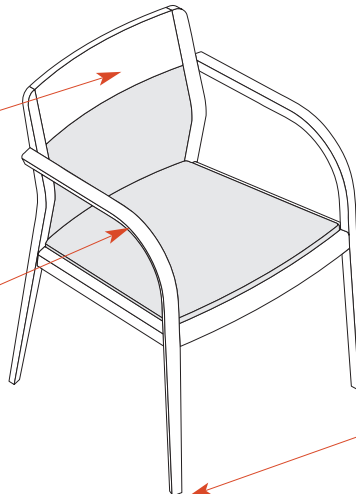
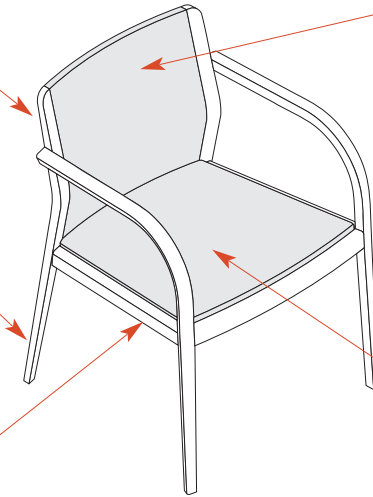
Steam-bent frame is constructed of kiln-dried European beech.

Wall-saver legs flare slightly so they contact the baseboard first, saving the wall's finish.

Seat rails are reinforced with wood corner blocks and cleats attached with glued and wood screws.

Wood top on upholstered back with wood top model (shown) and open-back model is curved for back support and comfort.

Steambent, curved arms provide comfort and a unique design that complements various settings.



Upholstered back on applicable models is constructed of two panels that are sandwiched together. Each panel features a contoured 3-ply cross-banded plywood inner panel. Inner panels are covered with high-resiliency, CFC-free foam (1/2" on the front and 1/4" on the back). Upholstery is wrapped around the inner panels and secured with upholstery staples. Both front and back upholstery are securely attached to the wood top and cleats with Christmas-tree fasteners.

If clean-out feature is desired, specify open-back model, which is open below the wood top and slat to the seat.

Seat cushion is made of 1 1/4" thin-profile, high-resiliency, CFC-free foam for maximum comfort and durability.

Joints are securely fastened with mortise and tenon joinery or double-doweled construction to ensure long-term use.

Nylon glides are 7/8" in diameter



Fully Upholstered



Upholstered Back with Wood Top



Open Back with Wood Top & Slat

Three Abbott models are available.

Seat suspension is constructed of plywood that is machined to form an open perimeter. Unidirectional webbing is machine-stretched across the open perimeter and stapled to the edges to form a comfortable, secure suspension.

Seat assembly is attached with wood screws to wood cleats on the frame.

Seat upholstery is wrapped over the seat cushion.

Contrasting upholstery on backs and seats is available on Abbott side chairs. If different price grades are selected, use our electronic specification tool for accurate pricing.

ABBOTT™ SEATING

Side Chairs

Pricing

Statement of Line	➤ See page AB.2
Planning	AB.3
Pricing	AB.4
Surface Materials	AB.5



Fully Upholstered Back



Upholstered Back with Wood Top



Open Back with Wood Top and Slat

Model	Description	In-Line Upholstery Pricing										Shipping		GSA
		1	2/COM	3/COL	4	5	6	7	L7	L8	lbs.	Cubic Feet	SIN	
K52S1AUFBU	Fully upholstered back	\$1346	1426	1471	1524	1599	1675	1748	2063	2239	25.05	14.00	33721	
K52S1AUWTRU	Upholstered back/wood top	\$1561	1631	1670	1717	1782	1849	1913	2188	2342	26.70	14.00	33721	
K52S1AWHBU	Open back/wood top & slat	\$1274	1319	1344	1374	1416	1459	1500	1677	1776	24.55	14.00	33721	

Model	Alliance Program Upholstery Pricing																	
	A	B	C	D	E	F	G	H	I	J	K	L	M	N	O	P	Q	R
K52S1AUFBU	\$1463	1519	1563	1607	1655	1711	1743	1803	1855	1908	1993	2160	2267	2292	2313	2338	2363	2482
K52S1AUWTRU	\$1664	1712	1751	1790	1832	1880	1908	1961	2006	2053	2127	2274	2367	2389	2407	2429	2451	2555
K52S1AWHBU	\$1340	1371	1396	1421	1448	1479	1497	1531	1560	1590	1638	1732	1792	1806	1818	1832	1846	1913

Description	Dimensions (Inches)								COM (Yards)				COL	
	Overall			Seat			Arm		1-4"			5-11"	12-18"	Sq.
	H	W	D	H	W	D	H	Non-Dir.	Repeat	Repeat	Repeat	Feet		
Fully uph. back	30¾	27¾	24½	18	23	20	26	Entire Unit	1.2	1.7	2.8	3.4	24.0	
								Back	0.7	0.8	1.0	2.4	14.0	
								Seat	0.9	1.1	1.4	1.5	18.0	
Uph. back/wood	30¾	27¾	24½	18	23	20	26	Entire Unit	1.0	1.5	2.0	2.8	20.0	
								Back	0.5	0.7	0.9	1.8	10.0	
								Seat	0.9	1.1	1.4	1.5	18.0	
Open back/wood	30¾	27¾	24½	18	23	20	26	Entire Unit	0.9	1.1	1.4	1.5	18.0	

Tips

Contrasting upholstery is available with Kimball upholstery, COM, COL, or Alliance Program upholstery. Use an electronic specification tool for accurate pricing.
➤ See the *Kimball Surface Materials Reference Guide* at www.kimball.com.

Thin, thick, or stiff materials may result in gathers and puckers at corners, contours, and seams.

IMPORTANT: Orders cannot be cancelled for chairs specified with Alliance Program upholstery.

TB133 is not available.

How to Specify

- ① Model
 - Back (omit for open-back model):
- ② Upholstery grade or Alliance prefix + upholstery grade
- ③ Upholstery number
 - Seat:
- ④ Upholstery grade or Alliance prefix + upholstery grade
- ⑤ Upholstery number
 - Frame:
- ⑥ Finish price group:
STD = Group 1
- ⑦ Finish designator

ABBOTT™ SEATING

Wood Finishes

Surface Materials

Statement of Line	▶ See page AB.2
Planning	AB.3
Pricing	AB.4
Surface Materials	AB.5

Applies to:

- Abbott seating

Price Group 1

AD	Almond
MC	Amber
BZ	Brazilwood
IM	Brighton
CO	Canyon
CI	Chai
CC	Cordoba
ES	Espresso
DF	Driftwood
TM	Huntington
KN	Kona
MW	Midtown
MH	Mocha
YO	Monterey
PC	Porcini
PB	Portobello
792	Sable
SC	Sedona
TW	Tribeca
NW	Tuscan
UW	Urban
WL	Willow

- ▶ See the *Kimball Surface Materials Reference Guide* at www.kimball.com for a complete overview of the Kimball materials program, including:
- Characteristics of wood
 - Special wood finishes
 - Customer-specified laminate (CSL)
 - Customer-specified paint (CSP)
 - Fabric application and colorways
 - Customer's own material (COM) process overview
 - Alliance program
 - TB133 process

IMPORTANT: Wood finishes applied to solid hardwood are complementary to the same wood finish applied to wood veneer, but not an exact match.

- ▶ Contact Customer Service for more information.

Statement of Line	➤ See page AB.2
Planning	AB.3
Pricing	AB.4
Surface Materials	AB.5

Applies to:

- Abbott seating

Kimball Seating Fabric

Price Grades 1–7

➤ See the *Surface Materials Reference Guide* at www.kimball.com for the most up-to-date list of available seating fabric patterns.

Kimball Leather

Price Grades L7 and L8

➤ See the *Surface Materials Reference Guide* at www.kimball.com for the most up-to-date list of available seating leather.

Alliance Fabric

Price Grades A–R

➤ See Surface Materials at www.kimball.com for a wide variety of graded-in fabrics from Arc-Com, Carnegie, CF Stinson, Maharam, Mayer Fabrics, Momentum, and Ultrafabrics.

COM/COL

Kimball has analyzed each model to most accurately reflect the COM/COL yardage requirements shown on the pricing pages. The yardage requirement for each model is based on 54"W fabric and cutting the fabric up the roll.

For widths other than 54", increase the yardage requirement by the factors below:

<i>Fabric width</i>	<i>Increase yardage</i>
50"–53"	15%
48"–49"	30%
45"–47"	45%

If repeat is larger than 18", contact Customer Service to confirm the correct amount of yardage required.

When ordering 10 or more chairs in the same COM, yardage requirements may be reduced.

➤ Contact Customer Service.

➤ See the *Kimball Surface Materials Reference Guide* at www.kimball.com for a complete overview of the Kimball materials program, including:

- Characteristics of wood
- Special wood finishes
- Customer-specified laminate (CSL)
- Customer-specified paint (CSP)
- Fabric application and colorways
- Customer's own material (COM) process overview
- Alliance program
- TB133 process