

### Side Chairs

Price List Effective Dates:	
Pricing	03.01.21
Revision	02.01.21



**Fully Upholstered Back**  
 ▶ See page AB.3 to specify.

Height	30¾"
Width	27¾"
Depth	24½"
Arm height	26"
Seat height	18"
Seat width	23"
Seat depth	20"



**Upholstered Back with Wood Top**  
*Bottom part of back is upholstered, top part is wood.*  
 ▶ See page AB.3 to specify.

Height	30¾"
Width	27¾"
Depth	24½"
Arm height	26"
Seat height	18"
Seat width	23"
Seat depth	20"



**Open Back with Wood Top and Slat**  
*Bottom part of back is open, top part is wood with wood slat.*  
 ▶ See page AB.3 to specify.

Height	30¾"
Width	27¾"
Depth	24½"
Arm height	26"
Seat height	18"
Seat width	23"
Seat depth	20"

Statement of Line	▶ See page AB.1
Planning	AB.2
Pricing	AB.3
Surface Materials	AB.5

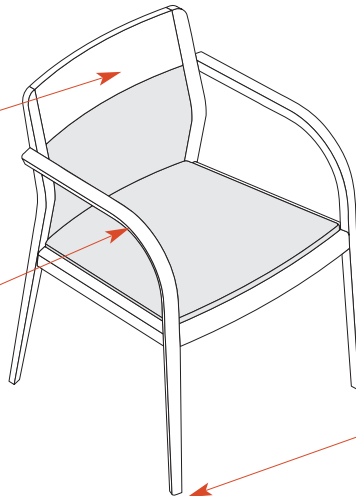
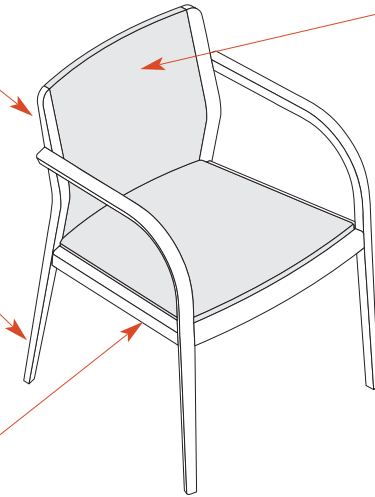
**Steam-bent frame** is constructed of kiln-dried European beech.

**Wall-saver legs** flare slightly so they contact the baseboard first, saving the wall's finish.

**Seat rails** are reinforced with wood corner blocks and cleats attached with glued and wood screws.

**Wood top** on upholstered back with wood top model (shown) and open-back model is curved for back support and comfort.

**Steambent, curved arms** provide comfort and a unique design that complements various settings.



**Upholstered back** on applicable models is constructed of two panels that are sandwiched together. Each panel features a contoured 3-ply cross-banded plywood inner panel. Inner panels are covered with high-resiliency, CFC-free foam (1/2" on the front and 1/4" on the back). Upholstery is wrapped around the inner panels and secured with upholstery staples. Both front and back upholstery are securely attached to the wood top and cleats with Christmas-tree fasteners.

**If clean-out feature is desired,** specify open-back model, which is open below the wood top and slat to the seat.

**Joints** are securely fastened with mortise and tenon joinery or double-doweled construction to ensure long-term use.

**Nylon glides** are 7/8" in diameter

**Details**



Fully Upholstered



Upholstered Back with Wood Top



Open Back with Wood Top & Slat

**Three different Abbott models** are available.

**Seat suspension** is constructed of plywood that is machined to form an open perimeter. Unidirectional webbing is machine-stretched across the open perimeter and stapled to the edges to form a comfortable, secure suspension.

**Seat assembly** is attached with wood screws to wood cleats on the frame.

**Seat cushion** is made of 1 1/4" thin-profile, high-resiliency, CFC-free foam for maximum comfort and durability.

**Seat upholstery** is wrapped over the seat cushion.

**Contrasting upholstery** on backs and seats is available on Abbott side chairs. If different price grades are selected, use our electronic specification tool for accurate pricing.

## Side Chairs

with Kimball Upholstery

Pricing

GSA SIN 33721

Statement of Line	➤ See page AB.1
Planning	AB.2
Pricing	AB.3
Surface Materials	AB.5



Model	Kimball Upholstery Price Grade								
	1 or COM	2	3 or COL	4	5	6	7	L7	L8
<b>Fully Upholstered Back</b>									
<b>K52S1AUFBU</b>	\$1013	\$1072	\$1107	\$1148	\$1203	\$1260	\$1315	\$1552	\$1685



<b>Upholstered Back with Wood Top</b>									
<b>K52S1AUWTRU</b>	\$1175	\$1227	\$1258	\$1293	\$1342	\$1391	\$1440	\$1647	\$1763



<b>Open Back with Wood Top and Slat</b>									
<b>K52S1AWHBU</b>	\$959	\$992	\$1012	\$1035	\$1066	\$1098	\$1129	\$1262	\$1337

### TB133

Not available.

### How to Specify

- ① Model
- Back** (omit for open-back model):
- ② Upholstery grade
- ③ Upholstery number
- Seat:**
- ④ Upholstery grade
- ⑤ Upholstery number
- Frame:**
- ⑥ Finish price group:  
**STD** = Group 1
- ⑦ Finish designator

Contrasting upholstery is available with Kimball upholstery, COM, COL, or Alliance Program upholstery. Use an electronic specification tool for accurate pricing.

➤ See the *Kimball Surface Materials Reference Guide* at [www.kimball.com](http://www.kimball.com).

➤ See page AB.6 for yardage requirements.

Thin, thick, or stiff materials may result in gathers and puckers at corners, contours, and seams.

**Side Chairs**

with Alliance Program Upholstery

Pricing

GSA SIN 33721

Statement of Line	➤ See page AB.1
Planning	AB.2
Pricing	AB.3
Surface Materials	AB.5

Model	Alliance Upholstery Price Grade									
	A	B	C	D	E	F	G	H	I	
	J	K	L	M	N	O	P	Q	R	
<b>K52S1AUFBU</b>	\$1100	\$1143	\$1176	\$1210	\$1246	\$1287	\$1312	\$1358	\$1395	
	1436	1500	1628	1708	1726	1740	1760	1779	1868	
<b>K52S1AUWTRU</b>	1251	1289	1318	1348	1379	1415	1437	1477	1510	
	1545	1601	1713	1783	1799	1811	1829	1846	1923	
<b>K52S1AWHBU</b>	1008	1032	1051	1070	1090	1113	1127	1153	1174	
	1197	1233	1305	1350	1360	1368	1379	1390	1440	

**TB133**

Not available.

**How to Specify**

For each upholstery grade step in the model specification, combine the Alliance partner designator and fabric grade as follows:

- ARC**[grade] = Arc Com
- CAR**[grade] = Carnegie
- CFS**[grade] = CF Stinson
- LDI**[grade] = EnviroLeather
- KNL**[grade] = KnollTextiles
- MHM**[grade] = Maharam
- MAF**[grade] = Mayer Fabrics
- MOM**[grade] = Momentum
- ULT**[grade] = Ultrafabrics

➤ See the corresponding Kimball upholstery pricing page for complete “How to Specify” steps.

IMPORTANT: Orders cannot be cancelled for chairs specified with Alliance Program upholstery.

Contrasting upholstery is available. Use an electronic specification tool for accurate pricing.

Statement of Line	➤ See page AB.1
Planning	AB.2
Pricing	AB.3
Surface Materials	AB.5

➤ See the *Kimball Surface Materials Reference Guide* at [www.kimball.com](http://www.kimball.com) for a complete overview of the Kimball materials program, including:

- Characteristics of wood
- Special wood finishes
- Customer-specified laminate (CSL)
- Customer-specified paint (CSP)
- Fabric application and colorways
- Customer's own material (COM) overview
- Alliance program
- TB133 process

IMPORTANT: Wood finishes applied to solid hardwood are complementary to the same wood finish applied to wood veneer, but not an exact match.

➤ Contact Customer Service for more information.

**Wood**

**Price Group 1**

- MC Amber Cherry
- CC Cordoba Cherry
- MH Mocha Cherry
- SC Sedona Cherry
  
- IM Brighton Maple<sup>1</sup>
- TM Huntington Maple
  
- ES Espresso Walnut
- MW Midtown Walnut
- TW Tribeca Walnut
- UW Urban Walnut
  
- AD Almond Straight Grain
- CO Canyon Straight Grain
- DF Driftwood Straight Grain
- YO Monterey Straight Grain<sup>1</sup>
- PB Portobello Straight Grain
- 792 Sable Straight Grain
- NW Tuscan Straight Grain

<sup>1</sup> Abbott is constructed of beech wood. Brighton and Monterey wood finishes on beech are complementary to Brighton on maple and Monterey straight grain, but are not a direct match.

Statement of Line	▶ See page AB.1
Planning	AB.2
Pricing	AB.3
Surface Materials	AB.5

- ▶ See the *Kimball Surface Materials Reference Guide* at [www.kimball.com](http://www.kimball.com) for a complete overview of the Kimball materials program, including:
- Characteristics of wood
  - Special wood finishes
  - Customer-specified laminate (CSL)
  - Customer-specified paint (CSP)
  - Fabric application and colorways
  - Customer's own material (COM) process overview
  - Alliance program
  - TB133 process

Kimball has analyzed each model to most accurately reflect the COM/COL yardage requirements shown at right. The yardage requirement for each model is based on 54"W fabric and cutting the fabric up the roll.

For widths other than 54", increase the yardage requirement by the factors below:

<i>Fabric width</i>	<i>Increase yardage</i>
50"–53"	15%
48"–49"	30%
45"–47"	45%

If repeat is larger than 18", contact Customer Service to confirm the correct amount of yardage required.

When ordering 10 or more chairs in the same COM, yardage requirements may be reduced.

▶ Contact Customer Service.

**Upholstery**

*Applies to:*

- Abbott seating

**Kimball Seating Fabric**

Price Grades 1–7

▶ See the *Surface Materials Reference Guide* at [www.kimball.com](http://www.kimball.com) for the most up-to-date list of available seating fabric patterns.

**Kimball Leather**

Price Grades L7 and L8

▶ See the *Surface Materials Reference Guide* at [www.kimball.com](http://www.kimball.com) for the most up-to-date list of available seating leather.

**Alliance Fabric**

Price Grades A–R

▶ See Surface Materials at [www.kimball.com](http://www.kimball.com) for a wide variety of graded-in fabrics from Arc-Com, Carnegie, CF Stinson, EnviroLeather, KnollTextiles, Maharam, Mayer Fabrics, Momentum, and Ultrafabrics.

**COM/COL Yardage Requirements**

<i>Model</i>		<b>COM</b>			<b>COL</b>	
		<i>Non-Dir.</i>	<i>1–4" Repeat</i>	<i>5–11" Repeat</i>	<i>12–18" Repeat</i>	<i>Square Feet</i>
K52S1AUFBU	Entire Unit	1.2	1.7	2.8	3.4	24.0
	Back	0.7	0.8	1.0	2.4	14.0
	Seat	0.9	1.1	1.4	1.5	18.0
K52S1AUWTRU	Entire Unit	1.0	1.5	2.0	2.8	20.0
	Back	0.5	0.7	0.9	1.8	10.0
K52S1AWHBU	Seat	0.9	1.1	1.4	1.5	18.0
	Entire Unit	0.9	1.1	1.4	1.5	18.0