

Price List Effective Dates:	
Pricing	10.03.22
Revisions	09.01.22



▶ See page

Statement of Line	IN.2
Planning & Pricing	IN.3
Suffolk™ Overview	IN.3
Suffolk™ Pricing	IN.4
Hillsborough™ Overview	IN.5
Hillsborough™ Pricing	IN.6
Surface Materials	IN.7
Wood Finishes	IN.7
Upholstery	IN.8

INDEPENDENCE™ SEATING

Desk, Side, and Lounge Seating

Statement of Line

Statement of Line ▶ See page IN.2
Surface Materials IN.8



Suffolk Desk Chairs

- ▶ See page IN.3 for product overview.
- ▶ See page IN.4 to specify.



Suffolk Mid-Back Side Chairs

- ▶ See page IN.3 for product overview.
- ▶ See page IN.4 to specify.



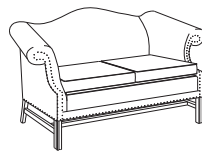
Suffolk Open-Back Side Chairs

- ▶ See page IN.3 for product overview.
- ▶ See page IN.4 to specify.



Hillsborough Side Chair

- ▶ See page IN.5 for product overview.
- ▶ See page IN.6 to specify.



Hillsborough Lounge Seating

- Available in 2-seat and 3-seat models.
- ▶ See page IN.5 for product overview.
 - ▶ See page IN.6 to specify.

▶ See individual pricing pages for dimensions.

INDEPENDENCE™ SEATING | SUFFOLK™

Overview

Planning

Statement of Line	▶ See page IN.2
Planning	IN.3
Pricing	IN.4
Surface Materials	IN.7

Frame is maple hardwood.

1½" thick back cushion is bonded to the hardwood back panel.

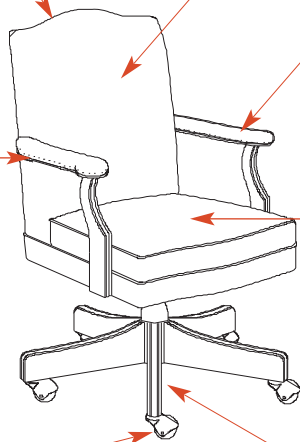
Arm caps are upholstered.

Brass trim nails, standard on all models, are individually driven head to head around the bottom edge of the upholstered arm caps.

Cushions are high-resiliency, CFC-free polyurethane foam. 3" thick seat cushion is applied to the flexible webbing suspension.

Antique English hooded ball casters are standard on desk chair with casters.

5-prong base has a rigid steel understructure and hardwood caps with radius ends.



Details



Mid-Back Desk Chair



Mid-Back Side Chair



Open Back Side Chair

Joints are double doweled and securely glued to ensure maximum strength. Tie screws are added for strength. Seat is reinforced with corner blocks and four screws.

Side-to-side rails on desk chair provide strength and a secure place to mount the swivel tilt mechanism.

Seat suspension is constructed of unidirectional webbing that is machine stretched across the open frame and stapled to the side rails.

Upholstery is wrapped over the cushions and secured with upholstery staples.

Nickel-plated glides on side chairs are 7/8" in diameter.

Adjustability Features

Desk Chair

Swivel tilt	•
Pneumatic height	•
• = standard	

Swivel tilt control allows reclining while keeping the back-to-seat angle constant. It features a heavy-duty adjustable torsion spring. Swivel tilt mechanism on desk chair is attached with T-nuts and machine screws.

Pneumatic height adjustment allows user to raise or lower the seat height with a control lever while seated. Up or down movement of lever located beneath the seat activates a gas cylinder to quickly adjust the chair.

INDEPENDENCE™ SEATING | SUFFOLK™

Desk and Side Chairs

Pricing



Mid-Back Desk Chair



Mid-Back Side Chair



Open Back Side Chair

Statement of Line	▶ See page IN.2
Planning	IN.3
Pricing	IN.4
Surface Materials	IN.7

Tips

IMPORTANT: Orders cannot be cancelled for chairs specified with Alliance Program upholstery.

Models that meet TB133 requirements are available in select upholstery.

▶ Contact **By Design**.

How to Specify

- ① Model
- ② Upholstery grade or Alliance prefix + upholstery grade
- ③ Upholstery number
- ④ Finish price group:
STD = Group 1
- ⑤ Finish designator
- ⑥ Base (omit for side chairs):
B11 = 5-prong base, wood base caps with radius ends
- ⑦ Casters (omit for side chairs):
C44 = Antique English hooded ball casters for desk chair (set of 5)

Model	Description	In-Line Upholstery Pricing										Shipping		GSA
		1	2/COM	3/COL	4	5	6	7	L7	L8	lbs.	Cubic Feet	SIN	
82	Mid-back desk chair	\$2153	2263	2325	2397	2501	2604	2705	3139	3381	55.00	17.40	33721	
84	Mid-back side chair	\$1585	1695	1757	1829	1933	2036	2137	2571	2813	30.00	17.40	33721	
81	Open back side chair	\$1504	1569	1605	1648	1709	1771	1830	2086	2229	24.00	14.60	33721	

Model	Alliance Program Upholstery Pricing																	
	A	B	C	D	E	F	G	H	I	J	K	L	M	N	O	P	Q	R
82	\$2314	2391	2450	2512	2578	2655	2699	2782	2853	2925	3042	3273	3420	3453	3482	3517	3552	3715
84	\$1746	1823	1882	1944	2010	2087	2131	2214	2285	2357	2474	2705	2852	2885	2914	2949	2984	3147
81	\$1599	1644	1680	1716	1755	1800	1826	1876	1917	1960	2029	2166	2253	2272	2289	2310	2331	2427

Description	Dimensions (Inches)							COM (Yards)				COL			
	Overall			Seat			Arm			1-4"			5-11"	12-18"	Sq.
	H	W	D	H	W	D	H	Non-Dir.	Repeat	Repeat	Repeat	Repeat	Feet		
Mid-back desk chair	37-39¾	26	28	16-18¾	19	19	26¼-29	Entire Unit	2.2	2.6	3.6	3.7	40.0		
Mid-back side chair	37	26¾	27	19½	20¾	19½	26	Entire Unit	2.2	2.6	3.6	3.7	40.0		
Open back side chair	30½	25¾	22¾	18½	18½	18	26	Entire Unit	1.3	1.9	2.0	2.2	22.0		

INDEPENDENCE™ SEATING | HILLSBOROUGH™

Lounge Seating | Overview

Pricing

Statement of Line	▶ See page IN.2
Planning	IN.5
Pricing	IN.6
Surface Materials	IN.7

Frame is kiln-dried maple

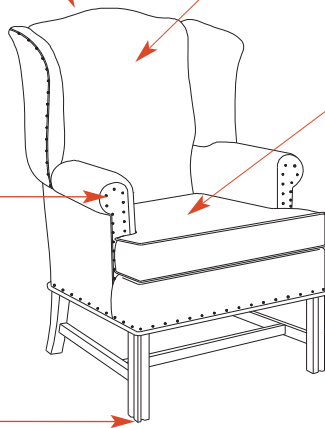
Cushions are high-resiliency, CFC-free polyurethane foam. Back cushion is 3" thick and is supported with a layer of high-quality woven webbing covering the back suspension. Rails are padded with foam for additional cushioning.

Removable seat cushions have 4¼" of bonded foam on side chair, 4" of bonded foam on 2-seat and 3-seat lounge.

Brass trim nails are individually driven head to head around the bottom edge of seat and on the front of rolled arm.

Legs are reinforced with stretchers and rails for added durability.

Nickel-plated glides are 7/8" in diameter.



Details



Side Chair



2-Seat Lounge



3-Seat Lounge

Joints are double doweled and securely glued to ensure maximum strength. Tie screws are added for strength. Seat is reinforced with support rails and corner blocks secured with four screws for extreme rigidity and strength.

Seat suspension is constructed with pre-assembled high carbon, high tensile, hand drawn drop-in coil spring units, covered with a high-quality woven webbing. A ¼" insulator pad is applied over the seat suspension. Denim material is upholstered over the pad.

Back suspension is constructed of five 11" gauge sinuous springs that are suspended from the frame by metal clips. Springs are tied together with a strong steel-resistant wrapping.

Upholstery is wrapped over the cushions and secured with upholstery staples.

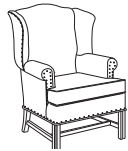
Related Products

Accent pillows are available. ▶ See the Accent Pillows chapter in the *Kimball Seating Price List*.

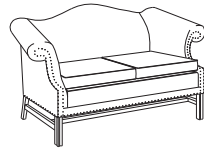
INDEPENDENCE™ SEATING | HILLSBOROUGH™

Lounge Seating

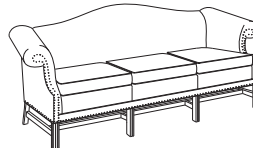
Pricing



Wing Chair



Two-Seat Lounge



Three-Seat Lounge

Statement of Line	➤ See page IN.2
Planning	IN.5
Pricing	IN.6
Surface Materials	IN.7

Tips

Faux leather upholstery with TB133 option is not available on Hillsborough wing chairs and lounges.

Fire code treatment is available on select Kimball upholstery.

➤ See the *Kimball Surface Materials Reference Guide* at www.kimball.com.

IMPORTANT: Orders cannot be cancelled for chairs specified with Alliance Program upholstery.

How to Specify

- ① Model
- ② Upholstery grade or Alliance prefix + upholstery grade
- ③ Upholstery number
- ④ Finish price group:
STD = Group 1
- ⑤ Finish designator

Model	Description	In-Line Upholstery Pricing										Shipping		GSA
		1	2/COM	3/COL	4	5	6	7	L7	L8	lbs.	Cubic Feet	SIN	
956	Wing chair	\$3265	3510	3647	3809	4039	4270	4495	5460	5999	57.00	25.45	33721	
957	Two-seat lounge	\$5040	5395	5594	5828	6162	6496	6822	8221	9002	108.00	50.45	33721	
958	Three-seat lounge	\$6116	6616	6896	7226	7696	8166	8626	10596	11696	140.00	69.75	33721	

Model	Alliance Program Upholstery Pricing																	
	A	B	C	D	E	F	G	H	I	J	K	L	M	N	O	P	Q	R
956	\$3623	3794	3927	4064	4211	4382	4480	4666	4823	4985	5245	5759	6087	6161	6225	6303	6381	6744
957	\$5558	5807	5999	6197	6410	6659	6801	7071	7298	7532	7908	8654	9130	9236	9328	9442	9556	10081
958	\$6846	7196	7466	7746	8046	8396	8596	8976	9296	9626	10156	11206	11876	12026	12156	12316	12476	13216

Description	Dimensions (Inches)							COM (Yards)				COL			
	Overall			Seat			Arm	1-4"			5-11"	12-18"	Sq.		
	H	W	D	H	W	D	H	Non-Dir.	Repeat	Repeat	Repeat	Feet			
Wing chair	42¾	31½	32	19	19¼	19¾	26	Entire Unit			4.9	5.8	6.8	7.9	90.0
2-seat lounge	35	64	32	18	42	21	28½	Entire Unit			7.1	8.8	9.5	12.1	150.0
3-seat lounge	36½	88	32	18	68	21	28½	Entire Unit			10.0	12.4	17.9	18.7	220.0

INDEPENDENCE™ SEATING

Wood Finishes

Surface Materials

Statement of Line [▶See page IN.2](#)
Surface Materials [IN.7](#)

Applies to:

- Suffolk
- Hillsborough

Price Group 1

AD	Almond
MC	Amber
BZ	Brazilwood ¹
CO	Canyon
CI	Chai ¹
CC	Cordoba
ES	Espresso
DF	Driftwood
TM	Huntington
KN	Kona ¹
MW	Midtown
MH	Mocha
YO	Monterey
PC	Porcini ¹
PB	Portobello
792	Sable
SC	Sedona
TW	Tribeca
NW	Tuscan
UW	Urban
WL	Willow ¹

¹ Not available on Suffolk or Richland.

- ▶See the *Kimball Surface Materials Reference Guide* at www.kimball.com for a complete overview of the Kimball materials program, including:
- Characteristics of wood
 - Special wood finishes
 - Customer-specified laminate (CSL)
 - Customer-specified paint (CSP)
 - Fabric application and colorways
 - Customer's own material (COM) process overview
 - Alliance program
 - TB133 process

IMPORTANT: Wood finishes applied to solid hardwood are complementary to the same wood finish applied to wood veneer, but not an exact match.

▶Contact Customer Service for more information.

INDEPENDENCE™ SEATING

Upholstery

Surface Materials

Statement of Line [▶See page IN.2](#)
 Surface Materials [IN.7](#)

- Applies to:*
- Suffolk
 - Hillsborough

Kimball Seating Fabric

Price Grades 1–7

▶See the *Surface Materials Reference Guide* at www.kimball.com for the most up-to-date list of available seating fabric patterns.

Kimball Leather

Price Grades L7 and L8

▶See the *Surface Materials Reference Guide* at www.kimball.com for the most up-to-date list of available seating leather.

Alliance Fabric

Price Grades A–R

▶See Surface Materials at www.kimball.com for a wide variety of graded-in fabrics from Arc-Com, Carnegie, CF Stinson, Maharam, Mayer Fabrics, Momentum, and Ultrafabrics.

COM/COL

Kimball has analyzed each model to most accurately reflect the COM/COL yardage requirements shown on the pricing pages. The yardage requirement for each model is based on 54"W fabric and cutting the fabric up the roll.

For widths other than 54", increase the yardage requirement by the factors below:

<i>Fabric width</i>	<i>Increase yardage</i>
50"–53"	15%
48"–49"	30%
45"–47"	45%

If repeat is larger than 18", contact Customer Service to confirm the correct amount of yardage required.

When ordering 10 or more chairs in the same COM, yardage requirements may be reduced.

▶Contact Customer Service.

- ▶See the *Kimball Surface Materials Reference Guide* at www.kimball.com for a complete overview of the Kimball materials program, including:
- Characteristics of wood
 - Special wood finishes
 - Customer-specified laminate (CSL)
 - Customer-specified paint (CSP)
 - Fabric application and colorways
 - Customer's own material (COM) process overview
 - Alliance program
 - TB133 process