

Desk Chairs



Upholstered-Back Desk Chairs

➤ See page 3.3 to specify.

Height	39 ³ / ₄ "–49 ³ / ₈ "
Width	25 ³ / ₄ "–27"
Depth	25"
Arm height	23 ⁷ / ₈ "–35 ¹ / ₈ "
Seat height	15 ⁷ / ₈ "–23"
Seat width	19 ³ / ₄ "
Seat depth	16 ⁵ / ₈ "
Kneespace	19 ³ / ₄ "

Price List Effective Dates:

Pricing	02.04.19
Revision	04.15.19

Height Ranges:

Patented aluminum column allows pneumatic cylinder to be adjusted, resulting in varying ranges for overall, seat, and arm heights.

Upholstered-Back Desk Chairs

Lowest Column Position

Overall height	39 ³ / ₄ "–47 ¹ / ₂ "
Arm height	23 ⁷ / ₈ "–33 ³ / ₈ "
Seat height	15 ⁷ / ₈ "–21 ¹ / ₄ "

Highest Column Position

Overall height	41 ¹ / ₂ "–49 ³ / ₈ "
Arm height	25 ¹ / ₂ "–35 ¹ / ₈ "
Seat height	17 ⁵ / ₈ "–23"

Note: Chairs are shipped with the column set at a mid-point between the lowest and highest positions

Campos seating models are dimensionally consistent and meet or exceed the applicable BIFMA/ANSI standards.

Statement of Line	▶ See page 3.1
Planning	3.2
Pricing	3.3
Surface Materials	3.5

Upholstered-back models feature a nine-layer molded plywood shell surrounded by molded, CFC- and CHC-free foam and upholstery.

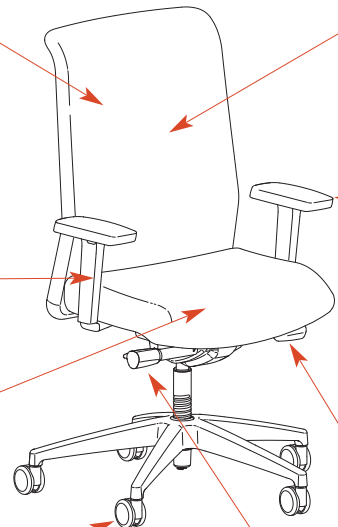
Arm structure consists of a steel upright covered in black nylon.

Seat cushions are 2¹/₈" thick—1³/₄" CFC- and CHC-free molded foam, over a seven-layer molded plywood shell.

Black, dual-wheel casters on desk chairs are 65mm in diameter. Specify hard casters (802) for use on carpet (standard) or soft casters (801) for use on hard floors (upcharge applies).

Optional adjustable lumbar support features a molded polyurethane lumbar pad that can be manually adjusted by turning a small knob.

Standard five-star base is 30% glass-filled nylon, textured, black plastic. Cast aluminum base with a polished finish is available as an option (upcharge applies).



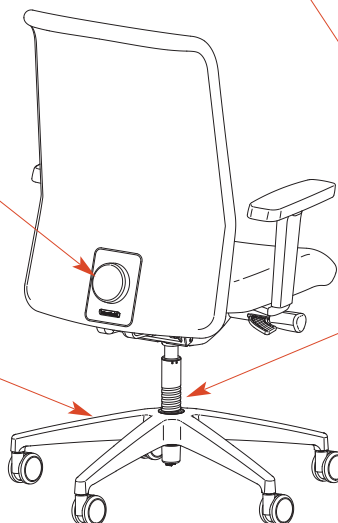
Back features a three-position lock with release mechanism.

T-shaped arm rests are standard with 2D adjustability. User can adjust the arm vertically within a 4¹/₄" range (11 positions) and horizontally within a 2¹/₂" range. Arm caps are black polyurethane.

Seat slider is available as an option to adjust the seat depth for comfort. Seat depth is adjusted by grasping the left lever below the seat, pulling upward, and sliding forward or rearward; locks within a 2" range.

Synchro mechanism provides fully synchronized seat-to-back movement. Allows user to lock the chair in multiple positions within the range of movement using a single lever.

Seat height adjusts from 15⁷/₈"–23" via a patented aluminum column adjustment feature and pneumatic (gas) cylinder.



Details

Chair is shipped knocked down in four parts and can be assembled without tools.

▶ See assembly instructions at www.kimball.com

Campos desk chairs are user rated up to 275 lbs.

Campos is warranted for three-shift (24/7) service.

Adjustability Features

Synchro-tilt	•
Pneumatic height	•
Swivel	•
Lumbar	○
Seat slider	○
Anti-kick back	•
Tilt tension	•
Back tilt lock	•
2-D arms	•
4-D arms	○

• = standard ○ = option

Anti-kick back feature controls forward movement of the back rest when the lock is disengaged.

Tilt tension control adjusts the amount of resistance the user feels when leaning back.

4-D arm option enables the user to make front-to-back adjustment within a 2" range (6 positions), side-to-side adjustment (5 positions), and pivots inward and outward 10° with two stops.

Desk Chairs

with Kimball Upholstery

'Pricing

GSA SIN 711-18



Model	Kimball Upholstery Price Grade									
	1 or COM	2	3 or COL	4	5	6	7	L7	L8	
Mid-Back with Upholstered Seat and Back										
K15C27		\$1039	\$1098	\$1132	\$1171	\$1225	\$1280	\$1335	\$1567	\$1696
K15C27F	TB133	\$1409	\$1468	\$1502	\$1541	\$1595	\$1650	\$1705	\$1937	\$2066

Statement of Line	▶ See page 3.1
Planning	3.2
Pricing	3.3
Surface Materials	3.5

TB133
Fire code treatment is available on Campos upholstered-back models in select Kimball upholstery.

How to Specify

- 1 Model
- Back:**
 - 2 Upholstery grade
 - 3 Upholstery number
- Seat:**
 - 4 Upholstery grade
 - 5 Upholstery number
 - 6 Lumbar support option:
 - 604 = Adjustable (+\$154)
 - X = None
 - 7 Arm style:
 - 703 = 2D
 - 709 = 4D (+\$63)
 - 8 Seat slider option:
 - 601 = Adjustable (+\$63)
 - X = None
 - 9 Base finish designator:
 - 532217 = Black plastic
 - 521304 = Polished aluminum (+\$154)
 - 10 Casters:
 - 802 = Hard (for use on carpet)
 - 801 = Soft (for hard floors) (+\$30)

IMPORTANT: Vinyl upholstery may result in gathers and puckers.

Contrasting upholstery is available.

Desk Chairs

with Alliance Program Upholstery

Pricing

GSA SIN 711-18

Statement of Line	▶ See page 3.1
Planning	3.2
Pricing	3.3
Surface Materials	3.5

Model	Alliance Upholstery Price Grade								
	A	B	C	D	E	F	G	H	I
	J	K	L	M	N	O	P	Q	R
K15C27	\$1124	\$1166	\$1198	\$1231	\$1266	\$1307	\$1332	\$1376	\$1414
	1452	1515	1640	1719	1736	1750	1771	1790	1874

TB133

TB133 fire code treatment is available on the upholstered-back model only.

How to Specify

For each upholstery grade step in the model specification, combine the Alliance partner designator and fabric grade as follows:

- ARC**[grade] = Arc Com
- CAR**[grade] = Carnegie
- CFS**[grade] = CF Stinson
- LDI**[grade] = EnviroLeather
- KNL**[grade] = KnollTextiles
- MHM**[grade] = Maharam
- MAF**[grade] = Mayer Fabrics
- MOM**[grade] = Momentum
- ULT**[grade] = Ultrafabrics

▶ See the corresponding Kimball upholstery pricing page for complete "How to Specify" steps.

IMPORTANT: Orders cannot be cancelled for chairs specified with Alliance Program upholstery.

Contrasting upholstery is available. If different price grades are selected, use an electronic specification tool for accurate pricing.

Statement of Line	▶ See page 3.1
Planning	3.2
Pricing	3.3
Surface Materials	3.5

- ▶ See the *Kimball Surface Materials Reference Guide* at www.kimball.com for a complete overview of the Kimball materials program, including:
- Characteristics of wood
 - Special wood finishes
 - Customer-specified laminate (CSL)
 - Customer-specified paint (CSP)
 - Fabric application and colorways
 - Customer's own material (COM) overview
 - Alliance program
 - TB133 process

Kimball has analyzed each model to most accurately reflect the COM/COL yardage requirements shown at right. The yardage requirement for each model is based on 54"W fabric and cutting the fabric up the roll.

For widths other than 54", increase the yardage requirement by the factors below:

<i>Fabric width</i>	<i>Increase yardage</i>
50"–53"	15%
48"–49"	30%
45"–47"	45%

When ordering 10 or more chairs in the same COM, yardage requirements may be reduced.

▶ Contact Customer Service.

Upholstery

Applies to:

- Campos seating

Kimball Seating Fabric

Price Grades 1–7

▶ See the *Surface Materials Reference Guide* at www.kimball.com for the most up-to-date list of available seating fabric patterns.

Kimball Leather

Price Grades L7 and L8

▶ See the *Surface Materials Reference Guide* at www.kimball.com for the most up-to-date list of available seating leather.

Alliance Fabric

Price Grades A–R

▶ See Surface Materials at www.kimball.com for a wide variety of graded-in fabrics from Arc-Com, Carnegie, CF Stinson, EnviroLeather, KnollTextiles, Maharam, Mayer Fabrics, Momentum, and Ultrafabrics.

COM/COL Yardage Requirements

<i>Model</i>		COM			COL	
		<i>Non-Dir.</i>	<i>1–4" Repeat</i>	<i>5–11" Repeat</i>	<i>12–18" Repeat</i>	<i>Square Feet</i>
K15C27	Entire Unit	1.6	1.7	2.0	3.0	30.0
	Back	1.1	1.2	1.7	2.0	19.5
	Seat	0.8	0.9	1.1	1.0	7.5

Notes

Statement of Line	▶ See page 3.1
Planning	3.2
Pricing	3.3
Surface Materials	3.5