

Conference and Side Chairs

Price List Effective Dates:	
Pricing	03.01.21
Revision	02.01.21



High-Back Conference Chairs

➤ See page NS.3 to specify.

Height	41¾"-44¼"
Width	23"
Depth	23½"
Arm height	
-from seat	8½"
-from floor	24½"-27"
Seat height	17¼"-19¾"
Seat width	19½"
Seat depth	19"



Mid-Back Conference Chairs

➤ See page NS.3 to specify.

Height	32"-34½"
Width	23"
Depth	23½"
Arm height	
-from seat	8½"
-from floor	23"-25½"
Seat height	17¼"-19¾"
Seat width	19½"
Seat depth	19"



Mid-Back Side Chairs

➤ See page NS.3 to specify.

Height	32"-34½"
Width	23"
Depth	23½"
Arm height	
-from seat	8½"
-from floor	23"-25½"
Seat height	15½"-18"
Seat width	19½"
Seat depth	19"

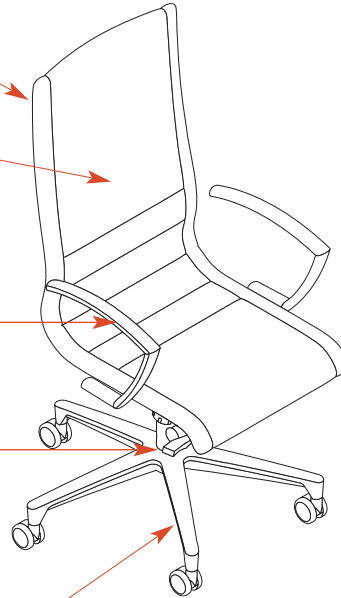
Frame features a polished aluminum finish.

Back and seat consist of faux leather over top 10mm foam.

Arms features a chrome finish.

Knee-tilt control with two-position back lock and tension control is standard.

Five-star base with polished aluminum finish features casters on high-back and mid-back conference models and glides on side chairs.



Details

Niles seating is available in high-back and mid-back swivel conference models, as well as a mid-back side chair featuring fixed glides.

Back and seat are available in ivory or black faux leather. Contrasting faux leather is not available.



Side chair features glides on a five-star base for stationary, non-mobile conference seating.

Niles seating meets all applicable BIFMA and ANSI requirements

TB117-2013 requirements are met by Niles seating.

TB133 models are not available.

Ships knocked down:

- Back, arms, seat, and controls
- Cylinder
- Base, casters or glides

Adjustability Features

	High Back	Mid-back	Fixed
Knee tilt	•	•	•
Swivel	•	•	•
Pneu. height	•	•	•
Tension control	•	•	•
2-position back lock	•	•	•

- standard

Knee tilt control provides minimal rise of the front seat edge when reclining, allowing the user's feet to remain firmly on the floor. Back may be locked in a full upright position by pushing in tilt lever. Recommended for users weighing 275 lbs. or less.

Pneumatic height adjustment allows user to raise or lower the seat height with a control lever while seated. Upward movement of lever located beneath the seat activates a gas cylinder to quickly adjust the chair.

Conference and Side Chairs

Pricing

GSA Non-Contract

Statement of Line [▶ See page NS.1](#)
 Planning [NS.2](#)
 Pricing [NS.3](#)



<i>Model</i>	<i>Faux Leather Color</i>	<i>Price</i>
High-Back Conference		
K57CSHBBSL5	Black	\$834
K57CSHBWSL5	Ivory	834



Mid-Back Conference		
K57CSMBBSL5	Black	\$761
K57CSMBWSL5	Ivory	761



Mid-Back Side		
K57CFMBBSL5	Black	\$700
K57CFMBWSL5	Ivory	700

TB133

Not available.

How to Specify

1 Model

COL is not available.

