

Price List Effective Dates:
Pricing 10.03.22
Revisions 09.01.22



▶ See page

Planning	TU.2
Pricing	TU.3
Surface Materials	TU.4
Wood Finishes	TU.4
Upholstery	TU.5

TUCKER™ SEATING

Overview

Planning

Statement of Line	▶ See page TU.2
Planning	TU.2
Pricing	TU.3
Surface Materials	TU.4

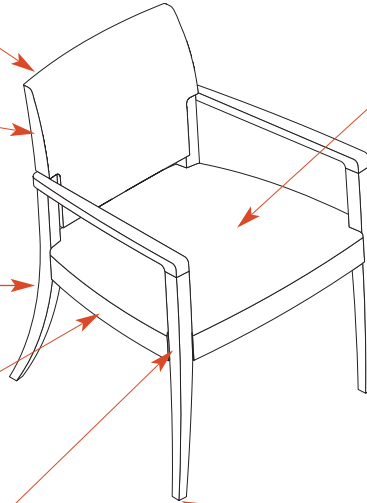
Steam-bent frame is constructed of kiln-dried European beech to support the body's curves.

Back is fully upholstered. Cushions are high-resiliency, CFC-free foam.

Wall-saver legs flare slightly so they contact the baseboard first, saving the wall's finish.

Seat rails are reinforced with wood corner blocks and cleats attached with glued and wood screws.

Joints are securely fastened with mortise and tenon joinery or double-doweled construction to ensure long-term use.



Seat suspension is constructed of plywood that is machined to form an open perimeter. Unidirectional webbing is machine-stretched across the open perimeter and stapled to the edges to form a comfortable, secure suspension.

Seat assembly is attached with wood screws to wood cleats on the frame.

Seat cushion is made of 1 1/4" thin-profile, high-resiliency, CFC-free foam for maximum comfort and durability.

Seat upholstery is wrapped over the seat cushion.

Contrasting upholstery on backs and seats is available on Tucker seating. If different price grades are selected, use our electronic specification tool for accurate pricing.

Nylon glides are 7/8" in diameter

Statement of Line



Side Chairs

▶ See page TU.3 to specify.

TUCKER™ SEATING

Side Chair



Pricing

Statement of Line	➤ See page TU.2
Planning	TU.2
Pricing	TU.3
Surface Materials	TU.4

Tips

TB133 is not available.

Contrasting upholstery is available with Kimball upholstery, COM, COL, or Alliance Program upholstery. Use an electronic specification tool for accurate pricing.

Thin, thick, or stiff materials may result in gathers and puckers at corners, contours, and seams.

IMPORTANT: Orders cannot be cancelled for chairs specified with Alliance Program upholstery.

How to Specify

① Model

Back:

- ② Upholstery grade
- ③ Upholstery number

Seat:

- ④ Upholstery grade
- ⑤ Upholstery number

Frame:

- ⑥ Finish price group:
STD = Group 1
- ⑦ Finish designator

Model	Description	In-Line Upholstery Pricing										Shipping		GSA
		1	2/COM	3/COL	4	5	6	7	L7	L8	lbs.	Cubic Feet	SIN	
K53S1AUCOU	Side chair	\$1297	1377	1422	1475	1550	1625	1699	2014	2190	25.15	14.00	33721	

Model	Alliance Program Upholstery Pricing																	
	A	B	C	D	E	F	G	H	I	J	K	L	M	N	O	P	Q	R
K53S1AUCOU	\$1414	1470	1513	1558	1606	1662	1694	1755	1806	1859	1943	2111	2219	2243	2263	2289	2315	2433

Description	Dimensions (Inches)								COM (Yards)				COL
	Overall			Seat			Arm		1-4"	5-11"	12-18"	Sq.	Feet
	H	W	D	H	W	D	H	Non-Dir.	Repeat	Repeat	Repeat	Feet	
Side chair	31¾	24	25	18	21	19½	25¼	Entire Unit	1.4	1.7	2.2	2.8	28.0
								Back	0.6	0.8	1.2	1.8	12.0
								Seat	1.0	1.1	1.4	1.5	20.0

TUCKER™ SEATING

Wood

Surface Materials

Statement of Line	▶See page TU.2
Planning	TU.2
Pricing	TU.3
Surface Materials	TU.4

Applies to:

- Tucker seating

Price Group 1

AD	Almond
MC	Amber
BZ	Brazilwood
IM	Brighton
CO	Canyon
CI	Chai
CC	Cordoba
ES	Espresso
DF	Driftwood
TM	Huntington
KN	Kona
MW	Midtown
MH	Mocha
YO	Monterey
PC	Porcini
PB	Portobello
792	Sable
SC	Sedona
TW	Tribeca
NW	Tuscan
UW	Urban
WL	Willow

- ▶See the *Kimball Surface Materials Reference Guide* at www.kimball.com for a complete overview of the Kimball materials program, including:
- Characteristics of wood
 - Special wood finishes
 - Customer-specified laminate (CSL)
 - Customer-specified paint (CSP)
 - Fabric application and colorways
 - Customer's own material (COM) process overview
 - Alliance program
 - TB133 process

IMPORTANT: Wood finishes applied to solid hardwood are complementary to the same wood finish applied to wood veneer, but not an exact match.

▶Contact Customer Service for more information.

Statement of Line	➤ See page TU.2
Planning	TU.2
Pricing	TU.3
Surface Materials	TU.4

Applies to:

- Tucker seating

Kimball Seating Fabric

Price Grades 1–7

➤ See the *Surface Materials Reference Guide* at www.kimball.com for the most up-to-date list of available seating fabric patterns.

Kimball Leather

Price Grades L7 and L8

➤ See the *Surface Materials Reference Guide* at www.kimball.com for the most up-to-date list of available seating leather.

Alliance Fabric

Price Grades A–R

➤ See Surface Materials at www.kimball.com for a wide variety of graded-in fabrics from Arc-Com, Carnegie, CF Stinson, Maharam, Mayer Fabrics, Momentum, and Ultrafabrics.

COM/COL

Kimball has analyzed each model to most accurately reflect the COM/COL yardage requirements shown on the pricing pages. The yardage requirement for each model is based on 54"W fabric and cutting the fabric up the roll.

For widths other than 54", increase the yardage requirement by the factors below:

<i>Fabric width</i>	<i>Increase yardage</i>
50"–53"	15%
48"–49"	30%
45"–47"	45%

If repeat is larger than 18", contact Customer Service to confirm the correct amount of yardage required.

When ordering 10 or more chairs in the same COM, yardage requirements may be reduced.

➤ Contact Customer Service.

- See the *Kimball Surface Materials Reference Guide* at www.kimball.com for a complete overview of the Kimball materials program, including:
- Characteristics of wood
 - Special wood finishes
 - Customer-specified laminate (CSL)
 - Customer-specified paint (CSP)
 - Fabric application and colorways
 - Customer's own material (COM) process overview
 - Alliance program
 - TB133 process

TUCKER™ SEATING

Notes

Statement of Line	➤ See page TU.2
Planning	TU.2
Pricing	TU.3
Surface Materials	TU.4