

Price List Effective Dates:
Pricing 03.01.22
Revision 02.01.22



▶ See page

Statement of Line	PO.2
Planning	PO.3
Overview	PO.3
Pricing	PO.4
Chairs	PO.4
Stools	PO.5

POLY™ STACKABLE SEATING

Statement of Line

Statement of Line	➤ See page PO.2
Planning	PO.3
Pricing	PO.4



Plastic Sled-Base Side Chair
Stacking
➤ See page PO.4 to specify.



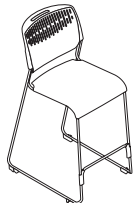
Plastic Sled-Base Side Chair with Arms
Stacking
➤ See page PO.4 to specify.



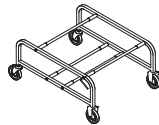
Mesh Sled-Base Side Chair
Stacking
➤ See page PO.4 to specify.



Plastic Sled-Base Counter-Height Stool
Stacking
➤ See page PO.5 to specify.



Plastic Sled-Base Bar-Height Stool
Stacking
➤ See page PO.5 to specify.



Transport Dolly
Accommodates a stack of 35 chairs.
➤ See page PO.4 to specify.

Book Racks
➤ See page PO.4 to specify.

➤ See individual pricing pages for dimensions.

POLY™ STACKABLE SEATING

Planning

Statement of Line	➤ See page PO.2
Planning	PO.3
Pricing	PO.4

100% polyester mesh back and seat is available in five colors on chairs:

- Big Sky
- Black Tie
- Crimson
- Tangerine
- Kiwi

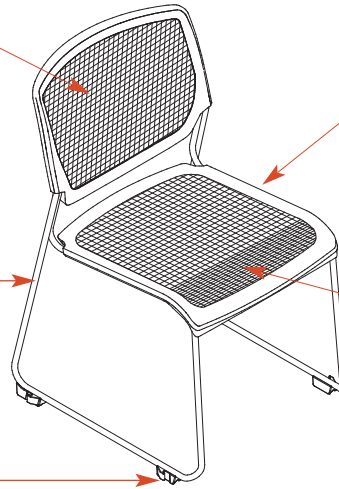
Legs have a chrome finish.

Black plastic glides are standard and can be used to gang adjacent chairs.

Polyurethane plastic back and seat is available in ten colors on stools and chairs:

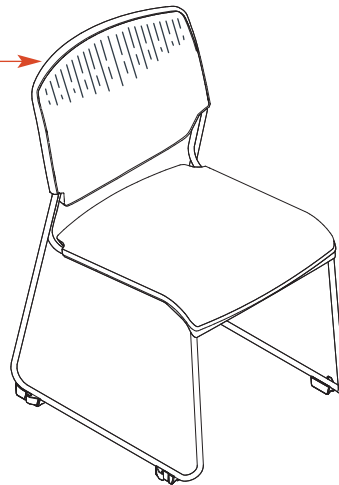
- Black Tie (Black 3 C)
- Charcoal (Cool Gray 10 C)
- Navy (7463 C)
- White
- Fawn (Warm Gray 5 C)
- Cobalt (2132 C)
- Scarlet (186 C)
- Parrot (2276 C)
- Tangerine (164 C)
- Turquoise (2200 C)

Note: Pantone® PMS color numbers are provided above for reference. Slight variations within commercial tolerance may occur in color and texture between the PMS colors and the finished product.



Back and seat frame is black plastic.

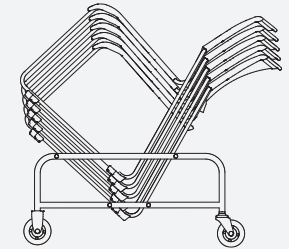
Mesh on the front of the seat features a tighter weave for additional support.



Compact stacking sled-base design enables chairs to be stacked up to 35 high on a dolly or up to 14 high on the floor. Stools can be stacked up to 20 high on a dolly or up to 10 high on the floor.

TB133 approved as standard. There are no separate models or pricing.

Chairs and stools are cartoned and shipped to maximize cube space and minimize cardboard usage.



Transport dolly is available to move up to 35 chairs or 20 stools. Dolly has a tubular steel frame, gray powdercoat finish, and four 8" semi-pneumatic ball-bearing wheels. Poly chairs stacked 35 high on the dolly will have an overall height of 75" and overall width of 37".

Ganging devices are not required. The black plastic glides that are standard also serve as a ganging bracket.

Book racks are available in sets of five and are field installable.

POLY™ STACKABLE SEATING

Side Chairs

Pricing

Statement of Line	▶ See page PO.2
Planning	PO.3
Pricing	PO.4



Plastic Chair



Plastic Chair with Arms



Mesh Chair

Model	Description	Price Each				Shipping Each		GSA SIN
		Qty. 1-3	Qty. 4-24	Qty. 25-99	Qty. 100+	Lbs.	Cubic Feet	
K95P	Plastic stacking chair	\$457	310	293	271	8.50	11.85	33721
K95PA	Plastic stacking chair with arms	\$555	408	391	369	9.50	11.85	33721
K95M	Mesh stacking chair	\$582	437	375	358	8.50	11.85	33721

Description	Dimensions (Inches)								
	Overall			Seat			Arm		
	H	W	D	H	W	D	Angle	H from floor	H from seat
Plastic stacking chair	32	20	24 1/8	18	17 1/4	16 3/4	7°	—	—
Plastic chair with arms	32	20	24 1/8	18	17 1/4	16 3/4	7°	26	8 1/2
Mesh stacking chair	32	20	24 1/8	18	17 1/4	16 3/4	7°	—	—

Tips

Poly side chairs are TB133 approved as standard.

Quantity price breaks are applicable for chairs of the same color, model number, and line.

How to Specify

Plastic Chairs

- ① Model
- ② Plastic color designator:
 - BK** = Black Tie
 - CT** = Cobalt
 - CH** = Charcoal
 - FW** = Fawn
 - NV** = Navy
 - PT** = Parrot
 - SC** = Scarlet
 - TG** = Tangerine
 - TQ** = Turquoise
 - WH** = White
- ③ Quantity range designator:
 - PQ1-3** = 1-3 chairs
 - PQ4-24** = 4-24 chairs
 - PQ25-99** = 25-99 chairs
 - PQ100** = 100+ chairs

Mesh Chairs

- ① Model
- ② Mesh color designator:
 - BS** = Big Sky
 - BK** = Black Tie
 - CR** = Crimson
 - KW** = Kiwi
 - TG** = Tangerine
- ③ Quantity range designator:
 - PQ1-3** = 1-3 chairs
 - PQ4-24** = 4-24 chairs
 - PQ25-99** = 25-99 chairs
 - PQ100** = 100+ chairs

POLY™ STACKABLE SEATING

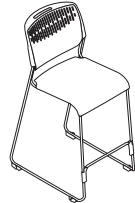
Stools

Pricing

Statement of Line	▶ See page PO.2
Planning	PO.3
Pricing	PO.4



Plastic Counter-Height Stool



Plastic Bar-Height Stool

Model	Description	Price Each			Shipping		GSA
		<i>Qty. 1-3</i>	<i>Qty. 4-24</i>	<i>Qty. 25+</i>	<i>Lbs.</i>	<i>Cubic Feet</i>	<i>SIN</i>
K95PCHS	Plastic stacking counter-height stool	\$751	607	531	13.50	15.99	33721
K95PS	Plastic stacking bar-height stool	\$771	627	551	13.00	15.99	33721

Description	Dimensions (Inches)						
	<i>Overall</i>			<i>Seat</i>			
	<i>H</i>	<i>W</i>	<i>D</i>	<i>H</i>	<i>W</i>	<i>D</i>	<i>Angle</i>
Counter-height stool	38½	20½	24½	24½	17½	16½	7°
Bar-height stool	42½	20½	25½	29	17½	16¾	7°

Tips

Poly stools are TB133 approved as standard.

Quantity price breaks are applicable for chairs of the same color, model number, and line.

How to Specify

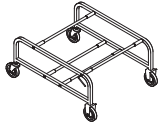
- ① Model
- ② Plastic color designator:
 - BK** = Black Tie
 - CT** = Cobalt
 - CH** = Charcoal
 - FW** = Fawn
 - NV** = Navy
 - PT** = Parrot
 - SC** = Scarlet
 - TG** = Tangerine
 - TQ** = Turquoise
 - WH** = White
- ③ Quantity range designator:
 - PQ1-3** = 1-3 chairs
 - PQ4-24** = 4-24 chairs
 - PQ25-99** = 25-99 chairs

POLY™ STACKABLE SEATING

Transport Dolly & Book Racks

Pricing

Statement of Line	▶ See page PO.2
Planning	PO.3
Pricing	PO.4



Transport Dolly

Book Racks (Set of 5)

Tips

Book racks are applicable to side chairs only.

How to Specify

- 1 Model

Model	Description	Price	Shipping		GSA
			Lbs.	Cubic Feet	SIN
K95TD	Transport dolly	\$743	16.50	1.20	33721
K95BRCH	Book racks (chrome)	\$946	13.00	15.99	33721

Description	Dimensions (Inches)		
	Overall		
	H	W	D
Transport dolly	13 ³ / ₈	22 ⁵ / ₈	32
Book racks	6 ⁷ / ₈	17 ⁷ / ₈	17 ¹ / ₂